

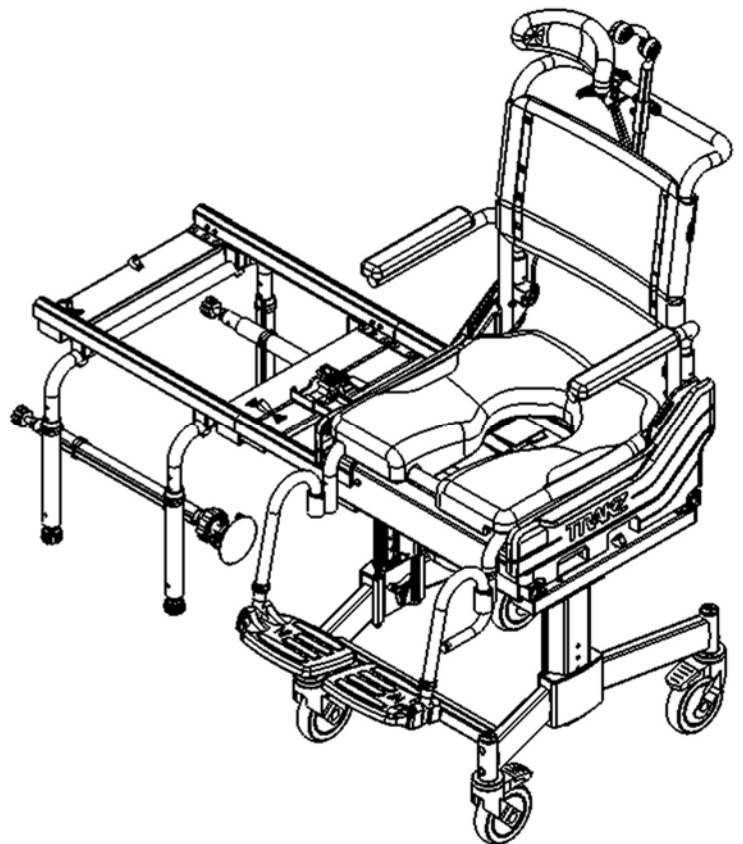
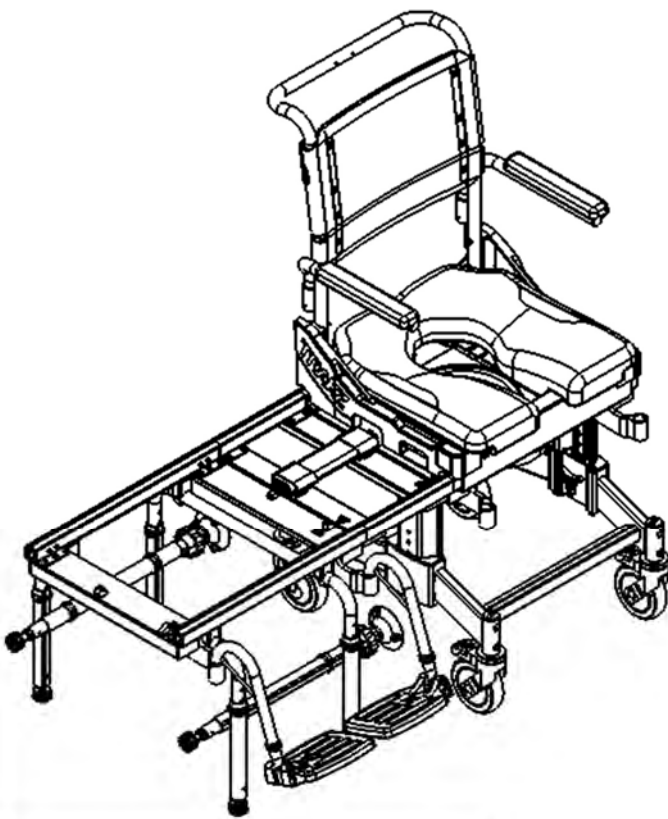


# TUB SLIDER SYSTEMS

## Trakz-AP (T188)

## Trakz-AT (T388)

# User / Dealer / Distributor Manual



EC REP	Advena Ltd. Tower Business Center 2nd Flr, Tower Street Swatar, BKR 4013 Malta
UKRP	Advena Ltd. Pure Offices, Plato Close Warwick, CV34 6WE UK
CH REP	Easy Medical Device GmbH Bernoullistrasse 20 4056 Basel, Switzerland



BASIC UDI-DI: 628758RAZDESIGNINC2004V9

# SAFETY PRECAUTIONS

Failure to comply may cause injury or damage!

It is important that the Trakz-AP and Trakz-AT Tub Slider Systems and the patented Zbrilok™ (US Patent No. 11,819,466) system are properly assembled and that all adjustments are properly made. Please ensure that the user(s), dealer(s) and attendants(s) have read this manual and thoroughly understood the safe operation of the Trakz-AP and Trakz-AT before using the products. Up-to-date manuals are available on line at [www.razdesigninc.com](http://www.razdesigninc.com). For clarification of any section of this manual, please contact your dealer, distributor or the manufacturer.



## MANUFACTURER

U.S.A. AND WORLDWIDE

Raz Design Inc.

135 Railside Rd. Toronto, ON, Canada, M3A 1B7

1.877.720.5678 / 416.751.5678

[info@razdesigninc.com](mailto:info@razdesigninc.com)



PRODUCT	MAXIMUM USER WEIGHT CAPACITY
Trakz-AP / Trakz-AT	160 kg (352 lbs)

# SAFETY WARNINGS

**THIS DEVICE IS SUITABLE FOR TYPE B: LIMITED USAGE (e.g. DOMESTIC / HOME USE) AND SHOULD NEVER BE USED FOR ANY PURPOSE OTHER THAN ORIGINALLY INTENDED**

## Stability

The casters on all models are equipped with dual locks. The step-on pedal activates both the roll lock and the swivel lock. ***It is essential that all casters on the shower chair be in an outward position before engaging the locks, for optimal forward, rearward and lateral stability.***

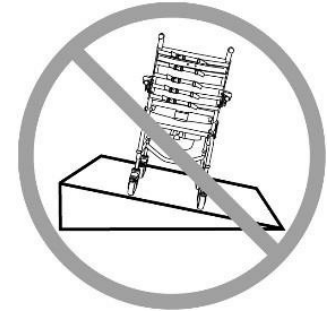
**USERS MUST NOT** lean forward while sitting in the Trakz-AP and Trakz-AT as this may cause the chair to tip forward.

**USERS MUST NOT** lean over the edge of the Trakz-AP and Trakz-AT as this could cause the chair to tip.

**USERS MUST NOT** attempt to pick up objects from the floor by leaning over and reaching – a reacher or grabber tool should be used, or seek assistance from an attendant.



**USERS MUST NOT** be rolled up or down a ramp without an attendant who is capable of controlling the Trakz-AP and Trakz-AT with the user in the chair, during the ascent or descent.



**CASTER LOCKS ARE NOT BRAKES!** Never use the caster locks to slow down the Trakz-AP and Trakz-AT when descending inclines as this could cause the chair to tip in the direction of travel.

**USERS MUST NOT** position the Trakz-AP and Trakz-AT on a side slope as this could cause it to tip.

### Ramps and Other Inclines

Ramps or other surfaces that are not level (such as slopes into wheel-in showers) must be tested with an attendant to ensure the stability of the chair is not compromised. A qualified healthcare professional should be consulted to assist with this process.

**DO NOT push or pull the Trakz-AP and Trakz-AT up or down an incline or ramp that exceeds a 1:12 grade (5° slope).**



**DO NOT** allow any user to be propelled (pushed or pulled) in the Trakz-AP and Trakz-AT in any other manner than by an attendant.

### Immersion

The Trakz-AP and Trakz-AT are not designed to be used as pool chairs. Do not immerse the shower chair in whole or in part, in water or any other liquid. Damage to the shower chair components may result.

### Chlorine Exposure

Suitable for use in wet areas, but not pools and similarly corrosive environments.

**DO NOT** store the device near pools because chlorine in the air will cause the device to rust.

### Transfers

The most dangerous part of using any shower chair is the transfer. Since every chair has different stability characteristics, it is essential to carefully review and test the transfer technique to ensure that the procedure is safe. Test transfers should be performed with an attendant who can prevent the chair from tipping or moving during the transfer. If you feel that the transfers cannot be repeatedly performed safely, contact a healthcare professional who is familiar with transfer techniques and assistive equipment. Individuals who have not learned safe transfer skills must seek assistance during transfers and may require the use of a mechanical lift.

### Transferring onto the Trakz-AP and Trakz-AT Shower Chair

**ALWAYS** lock all four casters in their outward position (front casters positioned in the forward position/rear casters positioned to the rear) for maximum chair stability.

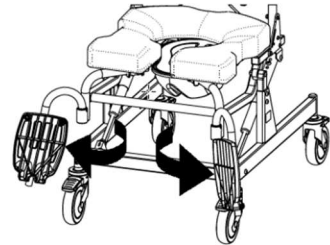


**Transfers should never be attempted with the shower chair positioned on slippery surfaces.** It is recommended that transfers be performed on clean, dry, non-slippery surfaces. Hard surface flooring such as tile, wood or concrete may not provide sufficient grip to keep locked casters from sliding. A fully-carpeted surface is optimal. Be aware that area rugs and shower mats can slide on floors and thereby present a hazardous surface.



**DO NOT stand on any part of the frames of the Trakz-AP and Trakz-AT.**

**NEVER use the foot supports (footrests) to assist in transfers.** This could cause the chair to tip. The footrests should be swung to the side or removed entirely during transfers to provide unobstructed access to the Trakz-AP and Trakz-AT.



The Trakz-AP and Trakz-AT **are NOT** intended for use as transportation devices or as long-term seating systems.

### Trakz-AT – Tilt Function

- **ALWAYS** check the tilt function and ensure both sides of the tilt mechanism and release cable assemblies are fully operational **BEFORE** the chair is occupied by the user.
- **DO NOT** attempt to tilt an occupant if the attendant is physically incapable of safely and smoothly operating the tilt function.

### Trakz-AP and Trakz-AT

- A pelvic strap can act as an additional safeguard for the user. A pelvic support strap may be ordered as an option with the Trakz-AP and Trakz-AT.
- **NEVER** leave the user unattended in a Trakz Tub Slider System.
- The Trakz-AP and Trakz-AT Tub Slider Systems are **NOT** intended for use as transportation devices or long-term seating systems.

## IMPORTANT!

**USERS SHOULD NEVER BE LEFT UNATTENDED IN THE Trakz-AP and Trakz-AT**

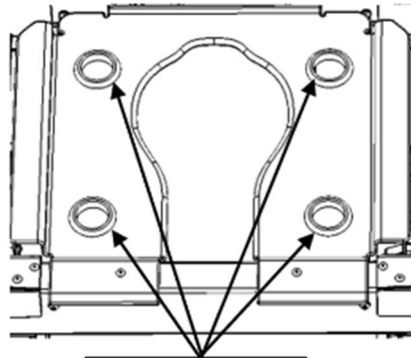
## IMPORTANT!

**DO NOT LIFT THE Trakz-AP OR Trakz-AT WITH OR WITHOUT AN OCCUPANT BY THE ARMRESTS OR FOOTRESTS**

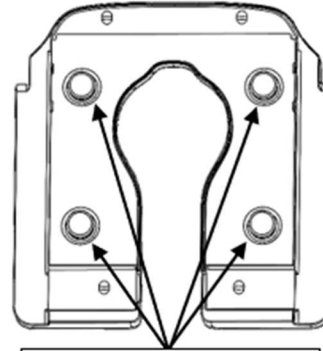
## IMPORTANT!

ALWAYS BE SURE THAT THE SEAT IS PROPERLY INSTALLED BEFORE A USER IS TRANSFERRED ONTO THE CHAIR. ALL FOUR PROTRUDING KNOBS ON THE BOTTOM OF THE SEAT SHOULD BE PROPERLY INSERTED AND SEATED INTO THE HOLES ON THE SEAT PAN THROUGH PROPER ALIGNMENT AND PRESSURE. MAKE SURE THERE IS NO MOVEMENT OF THE SEAT AFTER INSTALLATION. BE CAREFUL TO NOT DAMAGE THE SOFT SEAT DURING THE INSTALLATION.

DEALER: INSTRUCTIONS FOR THE PROPER REMOVAL AND INSTALLATION OF THE SEAT FOR CLEANING MUST BE PROVIDED TO THE USER AND / OR ATTENDANTS.



Holes in Seat Pan



Protruding Knobs on Seat

## IMPORTANT!






THE Trakz-AP and Trakz-AT ARE INTENDED FOR THE FOLLOWING:

- AS AIDS FOR SHOWERING/BATHING, TOILETING AND FOR OTHER ACTIVITIES ASSOCIATED WITH PERSONAL CARE AND PERSONAL HYGIENE;
- AS A SUPPORT FOR THE BODY OF THE USER IN A SEATED OR TILTED POSITION;
- TOILETING OVER A STANDARD TOILET, OR AS A COMMUNE WITH THE COMMUNE PAN;
- USE IN INDOOR ENVIRONMENTS ONLY;
- USE IN TYPE B, LIMITED USAGE (e.g. DOMESTIC / HOME USE) ENVIRONMENT

THE Trakz-AP and Trakz-AT DOES NOT PERFORM ANY THERAPEUTIC OR DIAGNOSTIC FUNCTIONS, AND IS NOT INTENDED FOR USE FOR ANY THERAPEUTIC OR DIAGNOSTIC PURPOSES. ALL PRODUCTS WITHIN THE RAZ FAMILY ARE NON-STERILE, REUSABLE, NON-INVASIVE, AND NON-IMPLANTABLE.

THE Trakz-AP and Trakz-AT IS INTENDED TO BE USED BY PEOPLE WITH MOBILITY IMPAIRMENTS, WHO MAY HAVE DIFFICULTY IN STANDING OR KEEPING THEIR BALANCE WHILE COMPLETING ACTIVITIES SUCH AS SHOWERING, TOILETING, OR PERSONAL HYGIENE. TYPICAL USERS HAVE LIMITED ENDURANCE AND POSTURAL CONTROL, AND MAY REQUIRE ASSISTANCE FROM A CAREGIVER FOR ACTIVITIES SUCH AS SHOWERING, TOILETING, OR PERSONAL HYGIENE.

# LABELS OR SYMBOLS ON THE PRODUCT

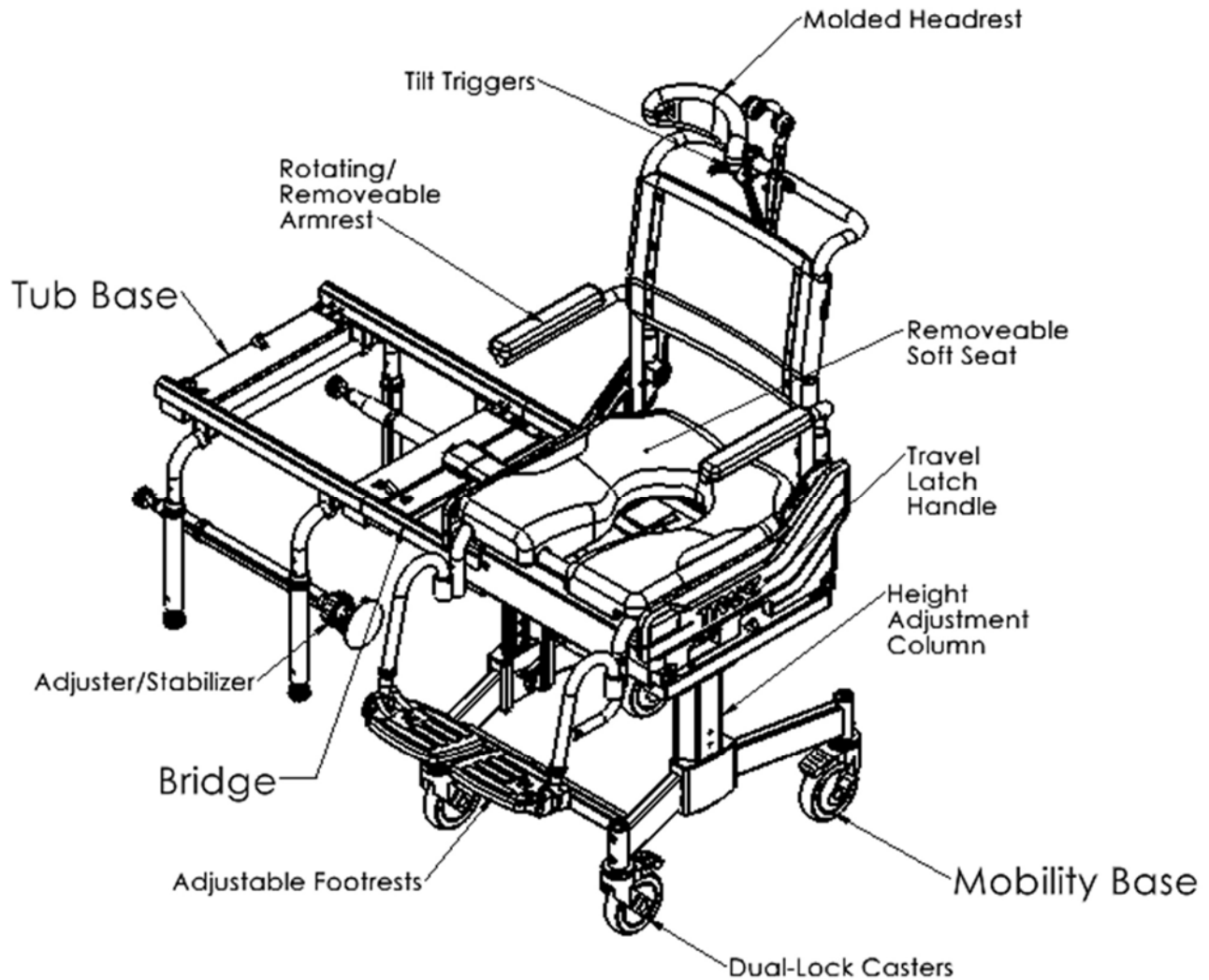
PRODUCT DESIGNATION	<h2 style="margin: 0;">Trakz-AP and Trakz-AT</h2>
MANUFACTURER ADDRESS	 <p style="margin: 0;">Raz Design Inc. 135 Railside Road Toronto, ON Canada M3A 1B7</p>
AUTHORIZED REPRESENTATIVE DETAIL	<div style="display: flex; justify-content: center; gap: 10px; align-items: center;"> <div style="border: 1px solid black; padding: 5px; text-align: center;"><b>EC</b></div> <div style="border: 1px solid black; padding: 5px; text-align: center;"><b>REP</b></div> </div> <p style="margin: 10px 0 10px 0; font-size: 1.2em;"><b>UKRP</b></p> <div style="display: flex; justify-content: center; gap: 10px; align-items: center;"> <div style="border: 1px solid black; padding: 5px; text-align: center;"><b>CH</b></div> <div style="border: 1px solid black; padding: 5px; text-align: center;"><b>REP</b></div> </div>
PRODUCT IDENTIFER (PI)	<div style="display: flex; justify-content: center; align-items: center; margin-bottom: 5px;"> <div style="border: 1px solid black; padding: 2px 5px; margin-right: 5px;"><b>SN</b></div> </div> <p style="margin: 0;">Bases: TXXXXXX Bridge: TBXXXXXXXX</p>
UDI-DI	<div style="display: flex; justify-content: center; align-items: center; margin-bottom: 5px;"> <div style="border: 1px solid black; padding: 2px 5px; margin-right: 5px;"><b>UDI</b></div> </div> <p style="margin: 0;">AP: 628758001881 AT: 628758003885</p>
MEDICAL DEVICE	<div style="display: flex; justify-content: center; align-items: center; margin-bottom: 5px;"> <div style="border: 1px solid black; padding: 2px 5px; margin-right: 5px;"><b>MD</b></div> </div>
EUROPEAN CONFORMITY	
DATE OF MANUFACTURE	
MAXIMUM USER WEIGHT	
READ USER MANUAL	

# USER, DEALER and DISTRIBUTOR MANUAL – TABLE OF CONTENTS

1.0 GENERAL INFORMATION .....	8
1.1 Trakz-AP and Trakz-AT (shown below) Overview .....	8
1.2 Trakz-AP and Trakz-AT Specifications .....	8
2.0 SET-UP (FOR DEALER / DISTRIBUTOR ONLY) .....	9
2.1 ASSEMBLY OF THE MOBILE and TUB BASES .....	9
2.1.1 Setting up the mobile base .....	9
2.1.2 Setting up the Bridge .....	10
2.1.3 Setting up the tub base .....	10
2.2 Back Support Installation .....	12
2.3 Installation of Adjustable Foot Supports .....	12
2.4 Arm Support Installation .....	12
2.5 Tilt-Assist Handle (Trakz-AT Only) .....	13
2.6 Molded Headrest Installation (Trakz-AT Only) .....	13
2.7 Fastener Installation .....	13
3.0 ADJUSTMENTS (FOR DEALER / DISTRIBUTOR) .....	13
3.1 Mobility Base Configuration .....	13
3.2 Mobility Base Height Adjustment .....	14
3.3 Adjustable-Tension Back Upholstery Adjustment (Optional) .....	14
3.4 Molded Headrest Adjustment (Trakz-AT Only) .....	14
3.5 Foot Support Adjustment .....	15
4.0 USE AND OPERATION .....	15
4.1 Tilt Function (Trakz-AT Only) .....	15
4.2 Casters .....	15
4.3 Adjustable-Tension Back Upholstery (Optional) .....	15
4.4 Molded Headrest (Trakz-AT Only) .....	16
4.5 Adjustable Footrests .....	16
4.6 Arm Supports .....	16
4.7 Soft Seat and Seat Pan .....	16
4.8 Commode Pan .....	17
5.0 CLEANING AND MAINTENANCE .....	18
5.1 Cleaning After Each Use .....	18
5.1.1 Commode Pan .....	18
5.1.2 Soft Seat .....	18
5.2 Cleaning as Needed .....	18
5.2.1 Frame, Armrests, Adjustable Footrests, and Other Components .....	18
6.0 LIMITED WARRANTY .....	19
7.0 CONTACTS .....	20

## 1.0 GENERAL INFORMATION

### 1.1 Trakz-AP and Trakz-AT (shown below) Overview



### 1.2 Trakz-AP and Trakz-AT Specifications

SPECIFICATIONS	Trakz-AP	Trakz-AT
User Weight Capacity	160 kg (352 lbs)	
Back Frame Width	46 cm (18")	
Overall Width (w/ std arm pads)	58.5 cm (23")	
Overall Length (w/ footrests)	90.25cm (35.5")	91.5cm (36")
Seat Width	46cm (18")	
Seat-To-Floor Height	45.75-66 cm (18"-26")	51.5-71.75cm (20.25"-28.25")
Bridge Clearance Height (for tub)	30-50.5 cm (11.75"-19.75")	
Clearance Width (for toilet)	42 cm (16.5")	
Armrest Height Above Standard Seat	25 cm (9.75")	
Product Weight	35 kg (77.5 lbs)	43 kg (95 lbs)
Frame and Hardware Material	Aluminum and Stainless Steel	
Minimum Turning Circle (w/ footrests)	102 cm (40")	



## 2.0 SET-UP (FOR DEALER / DISTRIBUTOR ONLY)

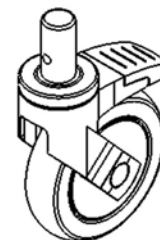
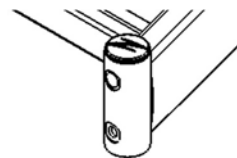
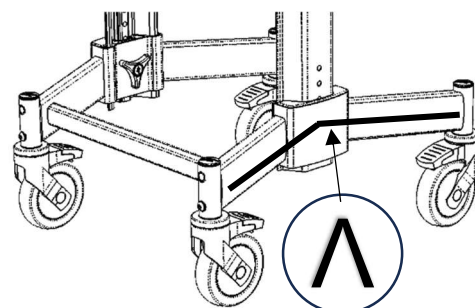
### 2.1 ASSEMBLY OF THE MOBILE and TUB BASES

The basic set-up steps are:

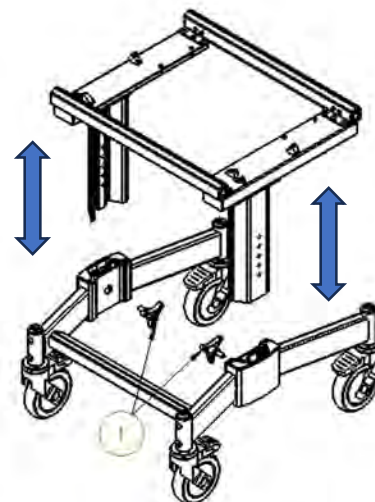
1. Set the Mobile Base to the appropriate height (*Section 2.1.1*)
2. Attach the Bridge to the Mobile Base (*Section 2.1.2*)
3. Using the Bridge as a guide, adjust the GROSS height of the Tub Base (*Section 2.1.3*)
4. Adjust the feet of the Tub Base so that it lines up with the Bridge (*Section 2.1.3*)

#### 2.1.1 Setting up the mobile base

1. Install the casters (Tool Required: 5mm hex key)
  - a. Insert one caster stem into caster housing on the base frame. (Most likely the base frame will need to be set up for the upper seat-to-floor range, with the base in an inverted "V" position.
  - b. Align the threaded hole in the caster stem with the hole in the caster housing.
  - c. Insert the M8 button head screw into the caster housing.  
*NOTE: Ensure each screw has a thread-lock patch or medium strength thread-locker solution on its threads before installing.*
  - d. Thread the M8 screw through the caster housing and into the caster stem.
  - e. Ensure the screw is tightened and caster is secure.
  - f. Repeat steps b. to f. with the remaining 3 casters.  
Note: Blue plugs are provided to plug the unused holes in the caster journals.
2. Measure the height of the tub wall.
3. Adjust the seat height so that the Bridge will clear the tub wall. Refer to the image on the right for the available Bridge clearance height configuration.
4. Tip the Mobile Base on its side.
5. Remove the two, blue trilobes located on the inside of the frame.
6. Slide the base frame to the appropriate position.  
*See section 3.1 and 3.2 for further adjustment details.*
7. Re-install the trilobes.
8. Once the required height is determined, check to ensure that the Bridge will clear the tub wall. To do this, connect the Bridge to the mobile base (*See section 2.1.2*) and roll the base up to the side of the tub. The Bridge should clear the tub wall without touching. Adjust the height if necessary.



LOWER CONFIGURATION BRIDGE TO FLOOR CLEARANCE		UPPER CONFIGURATION BRIDGE TO FLOOR CLEARANCE
30cm (11.75")	○	40cm (15.75")
32.5cm (12.75")	○	42.5cm (16.75")
35cm (13.75")	○	45cm (17.75")
37.5cm (14.75")	○	47.75cm (18.75")
40cm (15.75")	○	50.25cm (19.75")

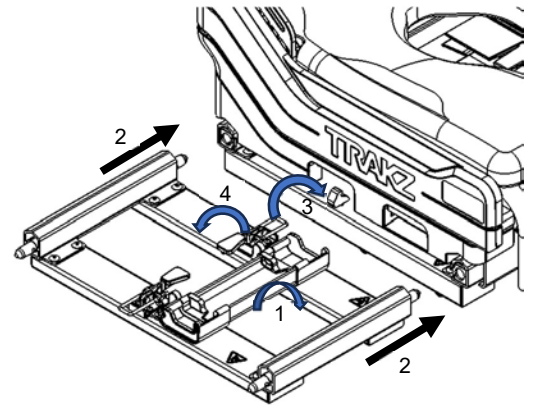


## 2.1.2 Setting up the Bridge

The Trakz Bridge incorporates the heart of the patented Zbrilok™ (US Patent No. 11,819,466) system. Zbrilok™ prevents the seat from being released from either base unless the Bridge is connected to both bases. This unique design, exclusive to Trakz, prevents accidental release of the seat and potential injury from falls.

The Bridge is connected by engaging the toggle on each end with the latch hooks located on the bases. With the toggles latched, the toggle cover can be closed. Only with the cover closed will the seat portion be free to roll onto the Bridge from either base.

1. With the latch cover open on the Bridge, you will see the two toggle latches used to lock the Bridge onto each of the bases.
2. Orient the locator pins on the Bridge onto the mobile base receiver holes (while ensuring the latch is matched with the latch hook on the tub base).
3. Place the latch loop onto the latch hook of the mobile base.
4. Close the toggle by pressing down the red lever to the opposite end of the latch. This will draw and lock the Bridge and mobile base together.

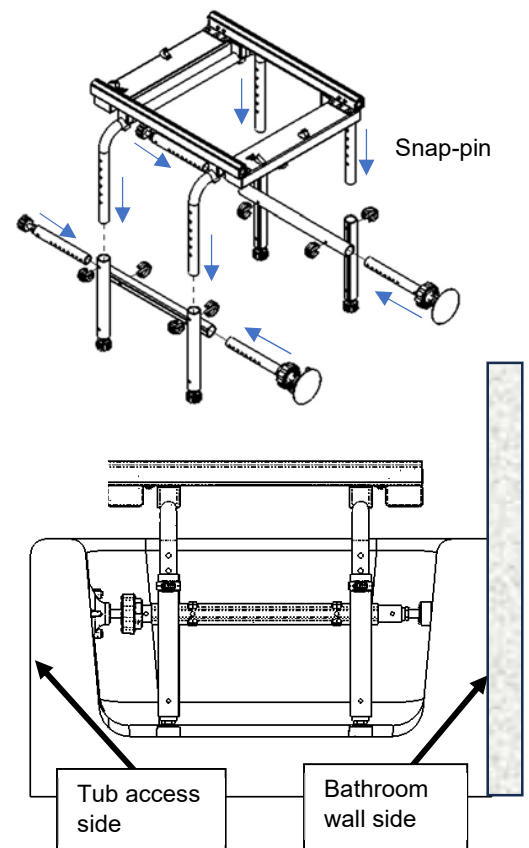


Note: The tightness of the toggles can be adjusted to make them more or less tight by adjusting the nuts on the latch.

## 2.1.3 Setting up the tub base

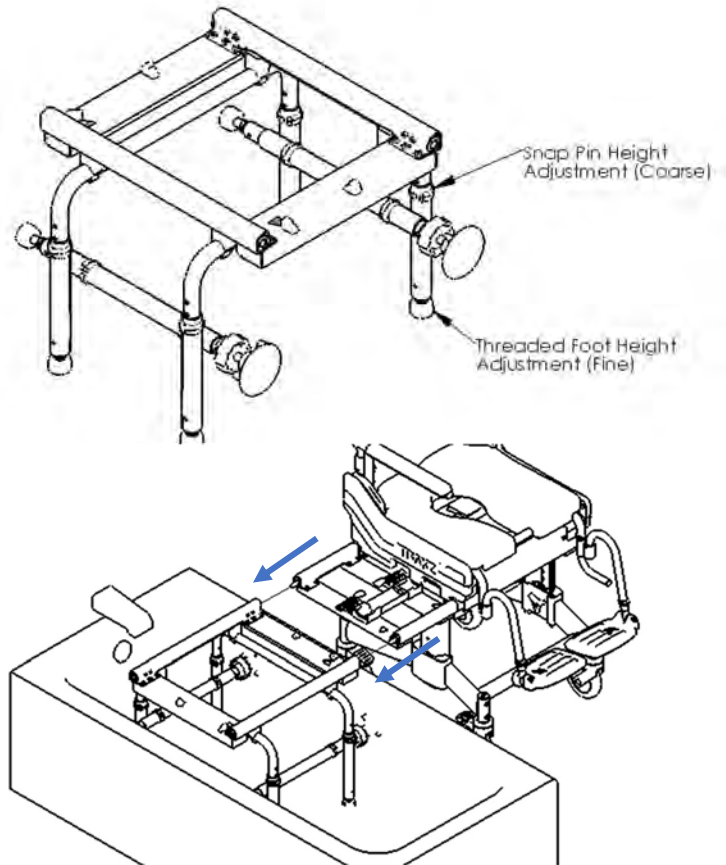
Tools required: 19mm wrench

1. There are two assemblies that each include two legs and a horizontal tube. One end of the horizontal tube has a suction cup and the other a rubber tip. Install them with the snap-pins as shown on the right with the horizontal tubes under the tub base frame for more legroom. The leg assemblies should be installed with the suction cups on the tub access side. This will make them easier to reach and adjust.
2. Determine an appropriate fore/aft position of the Tub Base within the tub. It is recommended that you position the Tub Base as close to the rear wall (this is often the wall with the taps since water supply for the tub and toilet are typically on the same wall) as possible.
3. Adjust the gross height such that the front and rear rails are just below the Bridge rails.
4. Fine tune the height by adjusting the threaded feet so that the locator pins of the Bridge align with



receivers of the Tub Base rails. The legs on the opposite side should be adjusted so that the rails are level.

5. Connect the Bridge to the tub base following similar steps to section 2.1.2.
6. Close the latch to complete the Bridge attachment. If the rails are aligned and level, tighten the jam nuts on the threaded feet to lock in their adjustment positions.
7. Using the snap pins, extend the rubber tips and suction cups so that they contact the tub walls.
8. Rotate the blue wheels to move the suction cups outward until they are compressed against the tub wall.
9. Re-check the rail alignment and fine tune if necessary.



**Note:** When the Bridge is connected to both the mobile base and the tub base, the tracks will be level and will align. This can be visually checked. Properly aligned and level rails will allow the sliding seat to roll easily from one base to the other.

## **IMPORTANT!**

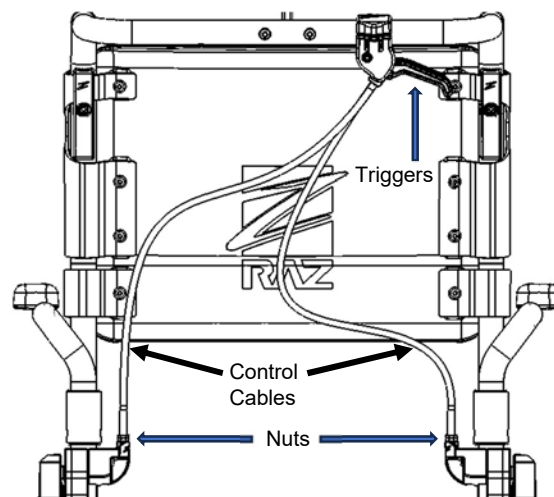
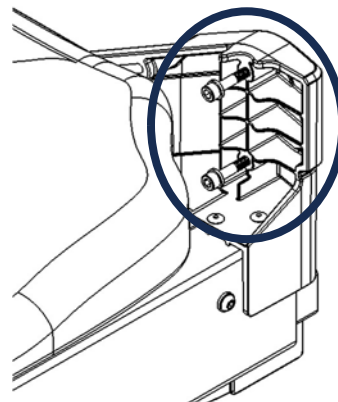
**THE Trakz CHAIR SHOULD NEVER BE ABLE TO SLIDE OFF THE TRACKS COMPLETELY WHEN PROPERLY INSTALLED. THIS WILL PREVENT ACCIDENTAL FALLS.**

## 2.2 Back Support Installation

The back frame is removed at the factory for packing and needs to be re-installed for use.

Tool required: 5mm allen key, 10mm wrench

1. **Trakz-AP** – Remove the screws (2 per side) from the rear of the side castings. Align the back frame into the coved features of the side castings. Attach the 4 x 35mm socket head cap screws using a 5mm allen key.
2. **Trakz-AT**
  - a. Backrest – Remove the screws (2 per side) from the rear of the side castings. Align the back frame into the coved features of the side castings. Attach the 4 x 35mm socket head cap screws using a 5mm allen key.
  - b. Control Cables – The control cables come pre-installed. If there is a need to adjust the tension on cable, thread the bottom nut with a 10mm wrench until tilt trigger feels stiff. Secure bottom nut by tightening the top nut down. Repeat for the other side if needed. Refer to note below to test tilt mechanism.



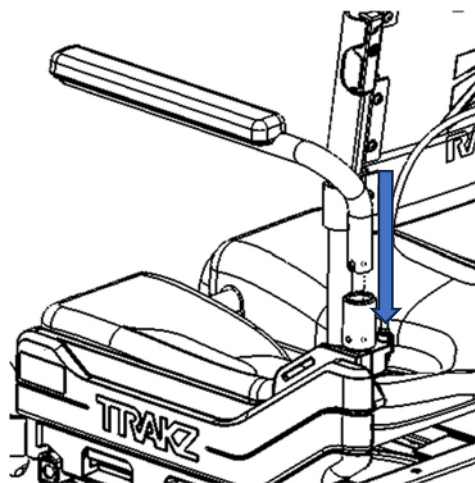
**NOTE:** Before the chair is used, it is important to check that each cable is properly adjusted and the tilt lock system is functioning as designed. With the chair tilted halfway, squeeze just one of the tilt triggers and try to change the tilt angle. The tilt angle should not change unless both triggers are squeezed. If the tilt angle does change with just one of the tilt triggers squeezed, the cable controlling the tilt lock from the tested trigger needs to be adjusted. To do so, loosen both jam nuts and adjust bottom nut as required. Test again and tighten the top jam nut to secure cable if the chair does not move after testing. Repeat the test for the other tilt trigger and adjust if needed.

## 2.3 Installation of Adjustable Foot Supports

1. Remove the foot supports (footrests) from the accessory box.
2. Place the foot support hanger tubes into the receivers.  
*When the foot supports are positioned forward, the pins on the hanger tubes will engage with the grooves in the receivers and lock in place.*

## 2.4 Arm Support Installation

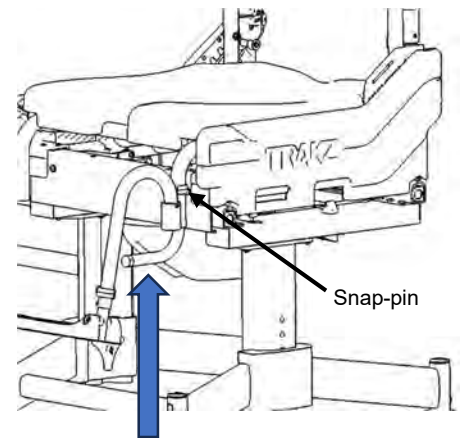
1. Remove the arm supports (armrests) from the accessory box.
2. Place the arm support tubes into the receivers.  
*If the arm support tubes are directed forward, the slots on the tubes will engage with the pins in the receivers and lock in place.*



## 2.5 Tilt-Assist Handle (Trakz-AT Only)

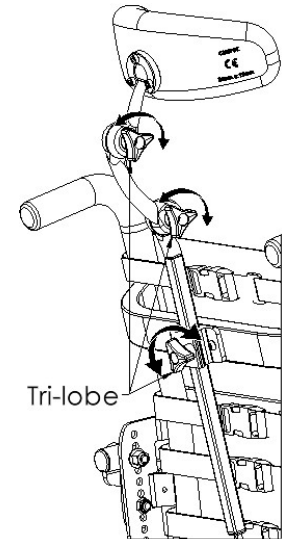
A Tilt-Assist Handle is standard on the Trakz-AT Shower Chair to facilitate tilting the chair for attendants.

1. Place chair slightly into tilt to gain access to the snap-pin
2. Remove snap-pin.
3. Insert tilt-assist handle into the receiver end closest to the tub access side.
4. Line-up the holes and secure with the snap-pin.



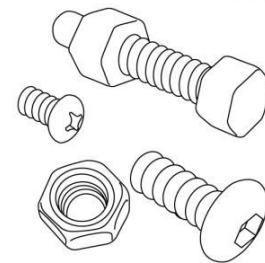
## 2.6 Molded Headrest Installation (Trakz-AT Only)

1. Remove the headrest assembly from the inner accessory box.
2. Insert the square tube of the headrest assembly into the receiver located on the backrest while ensuring the molded pad is facing forward.
3. Unfold the headrest by loosening the Tri-lobes and adjust the angle and height to user's preference. Tighten the Tri-lobes fully to secure the angle and height of the molded headrest.



## 2.7 Fastener Installation

All fasteners should be installed securely with hand tools and not with power tools. The speed and torque of the power tools can cause the fasteners to seize and permanently cold weld in place. It is also recommended that liquid soap (dish / hand soap) be added to the screw thread to help prevent the fasteners from seizing. Lock nuts that are removed for any reason may need to be replaced rather than re-used. Check performance of lock nuts when re-attaching to screw. There should be significant, detectable resistance when tightening. If not, replace the lock nut with a new one. It is advisable to check monthly, that all fasteners are properly tightened and that all adjustable components are secured in place.



## 3.0 ADJUSTMENTS (FOR DEALER / DISTRIBUTOR)

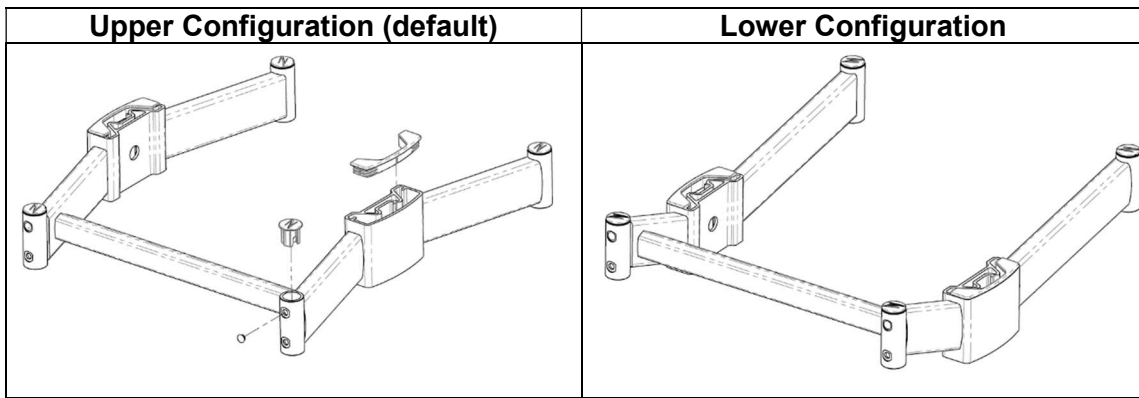
### **IMPORTANT!**

**ADJUSTMENTS SHOULD NEVER BE ATTEMPTED WITH THE USER IN THE CHAIR.**

## 3.1 Mobility Base Configuration

The base frame can be set up in either of two height ranges.

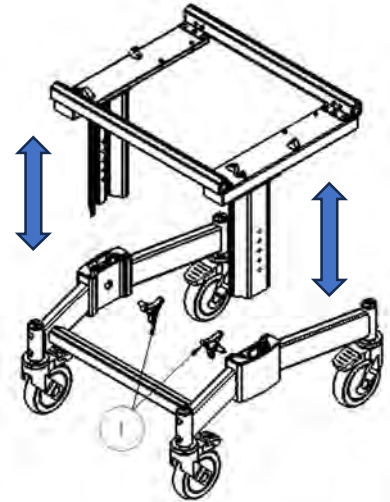
1. Upper range configuration allows for seat-to-floor height ranges of 56-66 cm (22-26") for Trakz-AP. For Trakz-AT, seat-to-floor height ranges of 61.5-71.75 cm (24.25-28.25").
2. Lower range configuration allows for seat-to-floor height ranges of 45.75-56 cm (18-22") for Trakz-AP. For Trakz-AT, seat-to-floor height ranges of 51.5-61.5 cm (20.25-24.25"). To achieve the lower configuration, remove all caps and flip the base upside down. Reinstall caps as shown below.



### 3.2 Mobility Base Height Adjustment

To change the seat-to-floor height on the Trakz-AP and Trakz-AT model, the seat frame is raised or lowered using the adjustment knob located on the inside of the base frame.

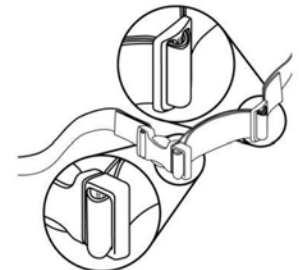
1. Tip the chair on its side to facilitate height adjustment.
2. Turn counter-clockwise to loosen and remove both height adjustment knob (1) by hand.
3. Adjust seat frame height up or down as needed making sure holes remain aligned to replace knob.  
*Note: Each hole is spaced at 2.5 cm (1") increments*
4. Replace knob back into the holes and tighten by turning clockwise.
5. Ensure any adjustment made to the mobility base must also be made to the tub base for proper function of the slider system.



### 3.3 Adjustable-Tension Back Upholstery Adjustment (Optional)

In order to adjust the back upholstery, each strap can be tightened or loosened in the buckles to achieve a wide range of positions.

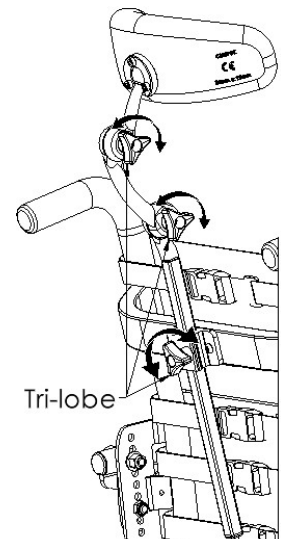
For example, the second and third straps from the bottom can be tightened to create more pronounced support in the lumbar area of the back.



### 3.4 Molded Headrest Adjustment (Trakz-AT Only)

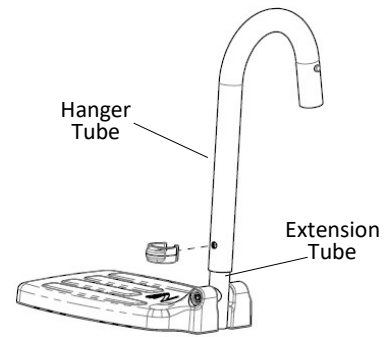
Tool required: 4mm hex key

1. Loosen the Tri-lobes on the Link Assembly and adjust the angle and height to user's preference. Tighten the Tri-lobes fully to secure the angle and height of the molded headrest.
2. To change the angle of the headrest pad, loosen (do not remove) the three screws on the back of the Molded Headrest. Rotate the headrest pad to suit user's needs. Tighten the screws to secure.
3. Ensure that all knobs and screws are tightened securely for the user's safety.



### 3.5 Foot Support Adjustment

1. Remove plastic snap-pin from the foot support hanger tube.
2. Adjust the foot support extension tube vertically to achieve the desired position.
3. Insert the snap-pin back through the foot support hanger and extension tubes.
4. Repeat steps 1-3 for the other side.

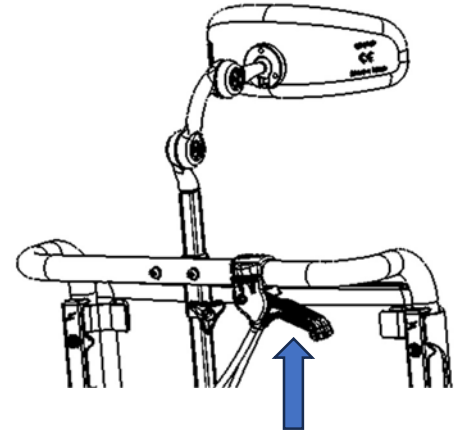


## 4.0 USE AND OPERATION

### 4.1 Tilt Function (Trakz-AT Only)

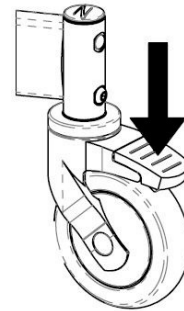
The Trakz-AT tilts up to 35° to provide comfort and reduce sitting pressure for the user. To tilt the chair, the attendant must squeeze both tilt triggers and move the chair to the desired angle. To lock the chair in place, the triggers are simply released and the tilt mechanism will lock.

*Note: If you experience difficulty releasing the tilt lock mechanism by squeezing the triggers, gently rock the backrest back and forth slightly to release the mechanism.*



### 4.2 Casters

Each caster is equipped with a dual-lock feature, which stops the caster from swiveling and rolling simultaneously. To activate the dual-lock, step on the end of the caster lock pedal until it latches in the “on” position. To deactivate the dual-lock, step on the raised end of the lever until it releases.



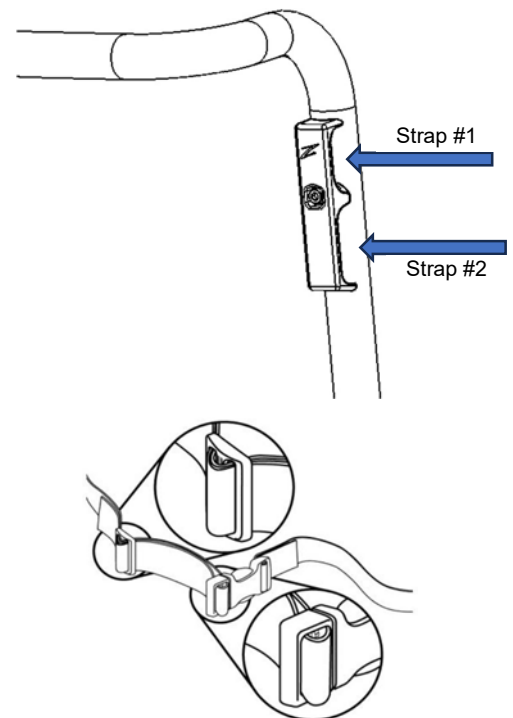
### 4.3 Adjustable-Tension Back Upholstery (Optional)

The Trakz may come with an optional Adjustable-Tension Back Upholstery that provides trunk support for optimal positioning and comfort. The upholstery is removable for machine washing.

To remove the Adjustable-Tension Back Upholstery, release the buckles on the straps.

To install Adjustable-Tension Back Upholstery:

1. Place the fabric against the front of the backrest canes making sure that when wrapped around, the clips on the straps face away from the fabric and the loops point downwards.
2. The highest strap (1) is positioned through the top slot of the hook.
3. Second (2) strap is positioned through the bottom slot of the hook.
4. The remaining straps are all positioned in-between just below the hook and just above the armrest receivers.
5. Adjust all of the straps to meet the user's needs.



#### 4.4 Molded Headrest (Trakz-AT Only)

A Molded Headrest is included with all Raz Trakz-AT Shower Chairs and optional on the Trakz-AP. The Molded Headrest is shaped to cradle the head comfortably and is easy to clean. The Molded Headrest can be adjusted indefinitely forward and backwards within a 5" range and vertically within a 11½" range.

To adjust the Molded Headrest, refer to section 3.

#### 4.5 Adjustable Footrests

Adjustable Footrests are standard on all Raz Shower Chairs. For transfers, the footrests can be flipped up, rotated away or removed entirely. Adjustable Footrests can be extended for users with longer legs with the optional footrest extension tube, a 2" longer tube that can be ordered for any Raz Shower Chair.

For footrest installation, refer to section 2. To adjust the footrest, refer to section 3.

To remove the Adjustable Footrests, lift the footrests out of the receiving sleeves on the frame.

#### 4.6 Arm Supports

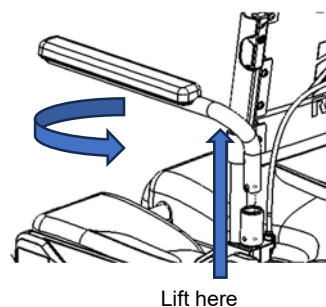
The arm support can be rotated away to allow easier transfer. When the hanger tube is fully inserted into the receiver and pulled upwards from the front end, it will stay engaged inside the receiver.

To pivot the arm support

1. Lightly lift the arm support closer to the rear of the tube near the bend and the receiver as indicated on the right image
2. Rotate the arm support to the desired angle to allow transfer.
3. When finished, rotate the arm support tubes back forward ensuring the slots on the tubes are engaged into the pins in the receivers and lock in place.

To remove the arm support:

1. Fully lift the arm support closer to the rear of the tube near the bend and the receiver as indicated on the right image.
2. Place the arm support tubes back into the receivers when required. *If the arm support tubes are directed forward, the slots on the tubes will engage with the pins in the receivers and lock in place.*

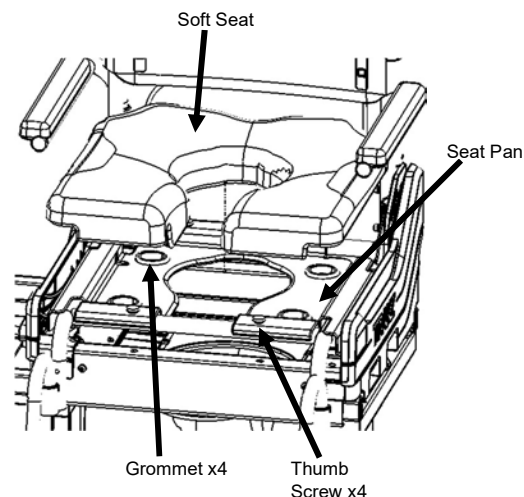


#### 4.7 Soft Seat and Seat Pan

The soft seat and seat pan may be removed to allow better access to areas under the seat for more effective cleaning.

To remove seat:

1. Pull the soft seat upwards on one corner to disengage the four (4) protruding knobs from the seat pan. If necessary, reach under the seat pan and push up on the knobs. Refer to image on page 5 for more details.
2. Rotate counter-clockwise the four (4) thumb screws completely to remove and place aside. The screws are located on the front and rear of the seat pan.
3. Remove seat pan. Clean the soft seat, seat pan and area underneath by following instructions in section 5.





To Install seat:

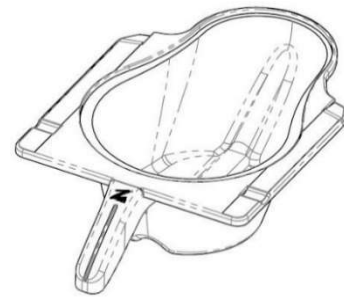
4. Place seat pan on top of the slider seat frame by aligning the holes.
5. Thread the four (4) thumb screws by rotating clockwise to secure seat pan.  
Check the seat pan is installed correctly by gently lifting it. The seat should not be able to move upwards.
6. Place soft seat on top of pan while ensuring that the protruding knobs on the bottom of the seat aligns with the holes on the seat pan.
7. Press firmly on the soft seat to push each knob into their respective holes with the grommets.
8. Check the soft is installed correctly by gently lifting it. All four (4) knobs on the soft seat should not be able to easily come out of the grommets.

#### 4.8 Commode Pan

The Raz commode pan is designed with an elongated shape that fits directly under the seat to minimize back splash. A unique splash-reduction ridge is located at the center of the pan. The high gloss surface facilitates cleaning and rinsing, while the pouring spout and handle facilitate emptying.

Removal of the commode pan is achieved by sliding the pan rearward.

*(Note: When re-inserting the pan, ensure that the pan is guided into the blue plastic brackets and pushed forward until it hits the stops.)*



### **IMPORTANT!**

**A QUALIFIED RAZ DEALER SHOULD BE CONTACTED TO CHECK ALL FASTENERS, CASTER AND WHEEL LOCKS, HARDWARE, AND ALL OTHER MOVING COMPONENTS AT LEAST ONCE PER YEAR.**

### **IMPORTANT!**

**ANY ATTENDANT MUST BE FAMILIAR WITH PROPER TILTING TECHNIQUES PRIOR TO ASSISTING A USER IN THE SHOWER COMMUNE. A PELVIC STRAP IS RECOMMENDED FOR ANY USER AS AN EXTRA SAFETY PRECAUTION.**

## 5.0 CLEANING AND MAINTENANCE

### 5.1 Cleaning After Each Use

#### 5.1.1 Commode Pan

1. Remove the commode pan and empty contents.
2. Wash the pan with a multi-purpose disinfectant cleaning solution. Use a soft brush if needed.
3. Rinse well before storage or re-use.

*A soapy hot water wash followed by a disinfectant spray can be substituted for a multi-purpose disinfectant cleaning solution.*

#### 5.1.2 Soft Seat

1. Spray with a multi-purpose disinfectant cleaner and scrub with a soft brush as required.
2. Rinse with a water spray before storage or re-use. **DO NOT IMMERSE** the seat in water or cleaning solutions.
3. For a more thorough cleaning, remove the seat pan from the shower chair by removing the four (4) thumb screws to allow better access to the underside of the seat and around the opening of the seat.

### 5.2 Cleaning as Needed

#### 5.2.1 Frame, Armrests, Adjustable Footrests, and Other Components

Spray the frame and components with a multi-purpose disinfectant cleaner, scrub with a soft brush and rinse with water.

It is recommended to the user that a qualified Raz dealer check over all fasteners and subassemblies on a continuing basis or if there is cause for concern to the shower chair's performance.

To reduce the risk of mildew buildup, the entire shower chair should be wiped down with a soft dry cloth after the final rinse and before storage or use.

**DO NOT** use chlorine bleach on any Raz components.

***The Trakz-AP and Trakz-AT must be stored in a dry and clean environment. Avoid exposure to chlorine (e.g. pools and pool areas), which will deteriorate and discolor the chair over time.***

### 5.3 Suggested Cleaning Products

Task	Recommended Products
General Cleaning	Antibacterial Detergent
Surface Disinfecting	Oxiver TB (Virox Technologies Inc.)

## IMPORTANT!

**DO NOT USE ABRASIVE SCRUBBING POWDERS OR SCOURING PADS ON THE Trakz-AT OR Trakz-AP.**

**DO NOT SUBMERGE THE Trakz-AT OR Trakz-AP IN WATER.**

**RINSE THOROUGHLY AFTER CLEANING TO ENSURE THAT ANY SOAP OR DETERGENT RESIDUE IS REMOVED.**

**DO NOT USE CLEANING PRODUCTS WITHOUT CONSULTING THE PRODUCT'S INSTRUCTIONS AND TAKING APPROPRIATE PRECAUTIONS FOR HUMAN EXPOSURE TO CHEMICALS.**

**DO NOT USE CHLORINATED PRODUCTS ON THE Trakz-AT OR Trakz-AP.**

## 6.0 LIMITED WARRANTY

This warranty is extended only to the original purchaser/user for Trakz-AP and Trakz-AT that has been purchased from a qualified Raz dealer.

This warranty gives you specific legal rights, but you may have additional legal rights depending on your region and country.

This warranty shall be extended to comply with regional and national laws and requirements.

With regards to the original purchaser/user only, Raz Design Inc. warrants its base and back frame components to be free of defects in materials and workmanship for a period of two (2) years from the date of purchase. All other components on the Trakz-AP and Trakz-AT are covered for a period of one (1) year and are subject to normal wear and tear exclusions. If within such warranty period any such product shall be proven to be defective, the part will be repaired or replaced, at Raz Design's discretion. This warranty does not include any labor or shipping charges incurred in replacement, part installation, or repair of any such product.

For warranty service, please contact the dealer from whom you purchased your Trakz-AP and Trakz-AT. In the event that you do not receive satisfactory warranty service, please contact Raz Design directly using the contact information located in either the beginning or end of the manual. In your correspondence, please provide your dealer's name and address, the product type, the date of purchase, the chair's serial number (on a grey label located on the chair frame), as well as the nature of the product issue. Do not return products to the manufacturer without prior authorization.

### **Limitations and Exclusions:**

The foregoing warranty shall not apply to serial numbered products if the serial number has been removed or defaced, and to products subjected to negligence or an accident. Improper operation, maintenance, or storage may void the warranty coverage on the Trakz-AP and Trakz-AT.

The warranty does not apply to products modified without Raz Design's express written consent. This includes, but is not limited to, modification through the use of unauthorized parts or attachments, products damaged by reason of repairs made to any component by an individual or individuals who are not employed by a qualified Raz dealer, or to a product damaged by circumstances beyond Raz Design's control. Only Raz Design will have the authority to determine whether or not the circumstances are eligible for warranty coverage. The warranty will not apply to problems arising from normal wear or failure to adhere to the instructions contained in this manual.

The foregoing warranty is exclusive of any other warranties, whether expressed or implied, including the implied warranties of merchantability and fitness for a particular purpose. The sole remedy for violations of any warranty whatsoever will be limited to repair or replacement of the defective product in compliance to the terms contained in this document.

The application of any implied warranty shall not extend beyond the duration of the express warranty provided herein. Raz Design will not be liable for any consequential or incidental damages to part or whole of a Trakz-AP and Trakz-AT.

***Raz Design Inc. frame and hardware material are made of stainless steel and aluminum for which we offer a lifetime warranty against corrosion. Please be advised this lifetime warranty is only extended to the original purchaser/user of Raz Shower Chairs that have been purchased from a qualified Raz dealer. Failure to comply with proper cleaning instructions may cause corrosion to the frame thereby voiding this warranty. Additionally, all claims of corrosion are subject to review and a request may be made for the return of the device in question, for thorough examination, before a replacement order can be processed.***

## 7.0 CONTACTS

It is important that the Trakz-AP and Trakz-AT be properly assembled and all adjustments be carefully made.

Up-to-date manuals can be downloaded from [www.razdesigninc.com](http://www.razdesigninc.com). For clarification of any section of the manual, please contact your distributor or the manufacturer.



### **MANUFACTURER**

U.S.A. AND WORLDWIDE

Raz Design Inc.

135 Rainside Rd. Toronto, ON, Canada, M3A 1B7

1.877.720.5678 / 416.751.5678

[info@razdesigninc.com](mailto:info@razdesigninc.com)



**PRODUCTS THAT CAN NO LONGER BE USED ARE TO BE DISPOSED OF SEPARATELY FROM HOUSEHOLD WASTE. THIS MUST BE DONE ACCORDING TO THE LOCAL AND NATIONAL REGULATIONS FOR ENVIRONMENTAL PROTECTION AND RAW MATERIAL RECYCLING. PLEASE REFER TO YOUR LOCAL GOVERNMENT WEBSITE FOR FURTHER INFORMATION ON THE CORRECT DISPOSAL PROCESS.**

## **IMPORTANT!**

**IT IS IMPORTANT TO CHECK YOUR CHAIR PRIOR TO EACH USE. ALL COMPONENTS INCLUDING THE BACKREST, ARMREST, SEAT, BASE FRAME AND CASTERS SHOULD BE SECURED IN PLACE. IF IT IS EVER FELT THAT ANY ASPECT OF THE Trakz-AP and Trakz-AT IS IN NEED OF MAINTENANCE, CONTACT YOUR DEALER / DISTRIBUTOR. ANY PROBLEMS THAT COULD AFFECT THE SAFE USAGE OF THE CHAIR MUST BE ATTENDED TO IMMEDIATELY. THE DEALER / DISTRIBUTOR THAT PROVIDED THE SHOWER CHAIR MUST BE CONTACTED SO THAT REPAIRS CAN BE MADE PRIOR TO USING THE CHAIR. DO NOT USE THE CHAIR UNTIL THE REPAIRS HAVE BEEN COMPLETED.**

**IF FOR ANY REASON YOUR DEALER OR DISTRIBUTOR DOES NOT RESPOND TO YOUR SATISFACTION, PLEASE CONTACT RAZ DESIGN INC USING THE INFORMATION BELOW:**

**EMAIL:** [info@razdesigninc.com](mailto:info@razdesigninc.com)  
**PHONE:** 1.877.720.5678 (North America)  
1.416.751.5678 (Rest of World)