

Date: _____

Dealer / Location: _____ T: _____ F: _____

PO# / Client: _____ Contact: _____ Email: _____

TRAKZ TUB SLIDERS CONSIST OF THREE MAJOR COMPONENTS:

Mobile Bases – Include height-adjustable aluminum frame, soft contoured seat cushion, molded vinyl back upholstery, swing-away removable padded arm supports, foot supports, four dual-locking 5" (125mm) casters and commode pan. The Trakz-AT Mobile Base also includes a rotational tilt system with a range of 0° to 35° and a head support.

Tub Base – Includes a toolless, height-adjustable aluminum frame with horizontal stabilizers.

Bridge – The patented Zbrilok safety system prevents unintentional seat release from either base. .

Zbrilok™

The patented latching safety system, Zbrilok, ensures that the sliding seat assembly cannot be moved onto the bridge, from either the tub base or mobile base, unless the bridge is fully locked to both bases. This prevents the seat assembly from being released inadvertently and potentially causing injury to the client. The Raz Trakz is the only tub slider that has this safety feature.

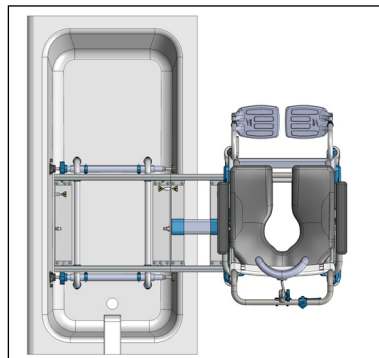
1. Models (NOTE: must select either T188 AND T1BASE or T388 AND T3BASE)

T188	Trakz-AP (Attendant Propel) Non-Tilting Tub Slider Mobile Base	\$2,795
T1BASE	Tub Base for Trakz-AP includes adjustable-height frame and horizontal stabilizers (without tools)	\$2,495
T388	Trakz-AT (Attendant Tilt) Tilting Tub Slider Mobile Base with 35° of rotational tilt and head support	\$3,995
T3BASE	Tub Base for Trakz-AT includes adjustable-height frame and horizontal stabilizers (without tools)	\$2,495

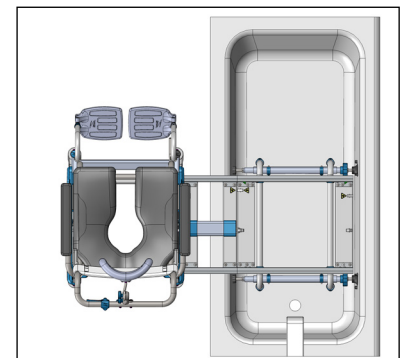
2. Slide Orientation: Must select one

TSOL	Slide Orientation - Left	No charge
TSOR	Slide Orientation - Right	No charge

Changing a Trakz-AT from right to left or left to right is easy. The tilt triggers and tilt assist handle are the only components that need to be relocated.



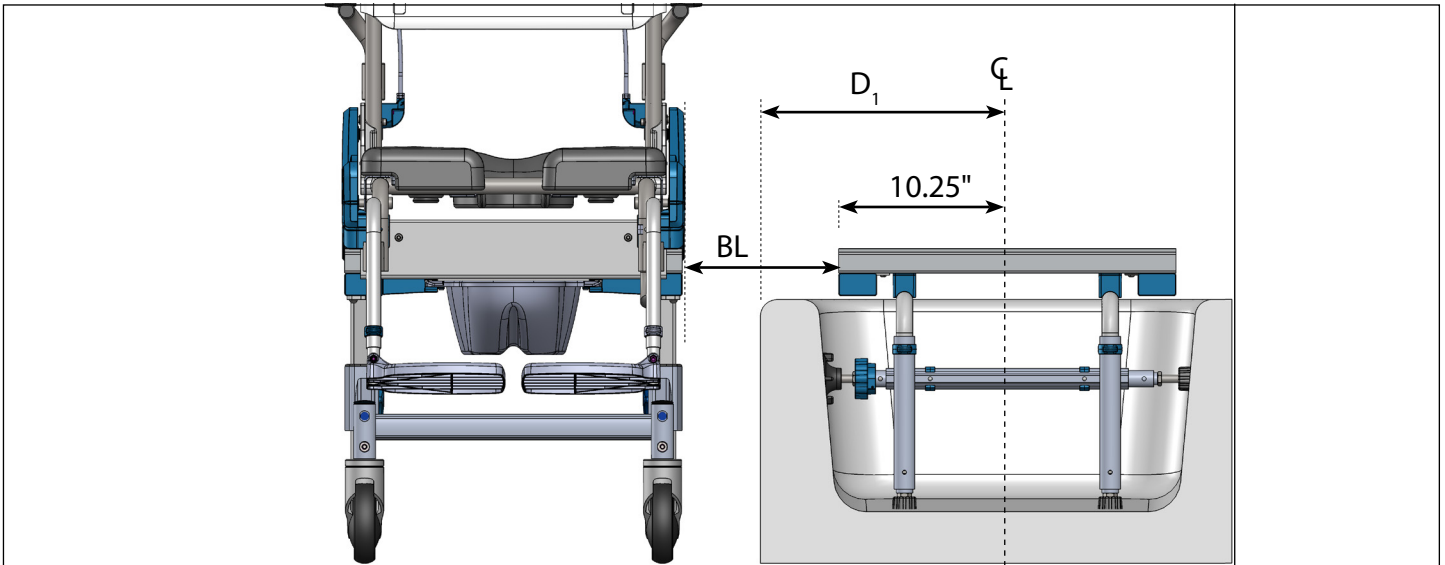
Slide Orientation – Left



Slide Orientation – Right

3. Bridge Lengths (See next page for bridge length calculation)

TBL07	Bridge length – 7"	\$475
TBL08	Bridge length – 8.5"	\$475
TBL09	Bridge length – 9.5"	\$475
TBL10	Bridge length – 10.5"	\$475
TBL12	Bridge length – 12.5"	\$475
TBL14	Bridge length – 14.5"	\$475
TBL16	Bridge length – 16.5"	\$475
TBLC	Bridge length – Custom Enter length required _____"	\$795

Bridge Length without toilet interference

Calculated Bridge Length (CBL) – without toilet bowl interference

$$\text{Minimum CBL} = D_1 + 2" - 10.25"$$

Example: If $D_1 = 15"$

$$\text{Minimum CBL} = 15 + 2" - 10.25" = 6.75"$$

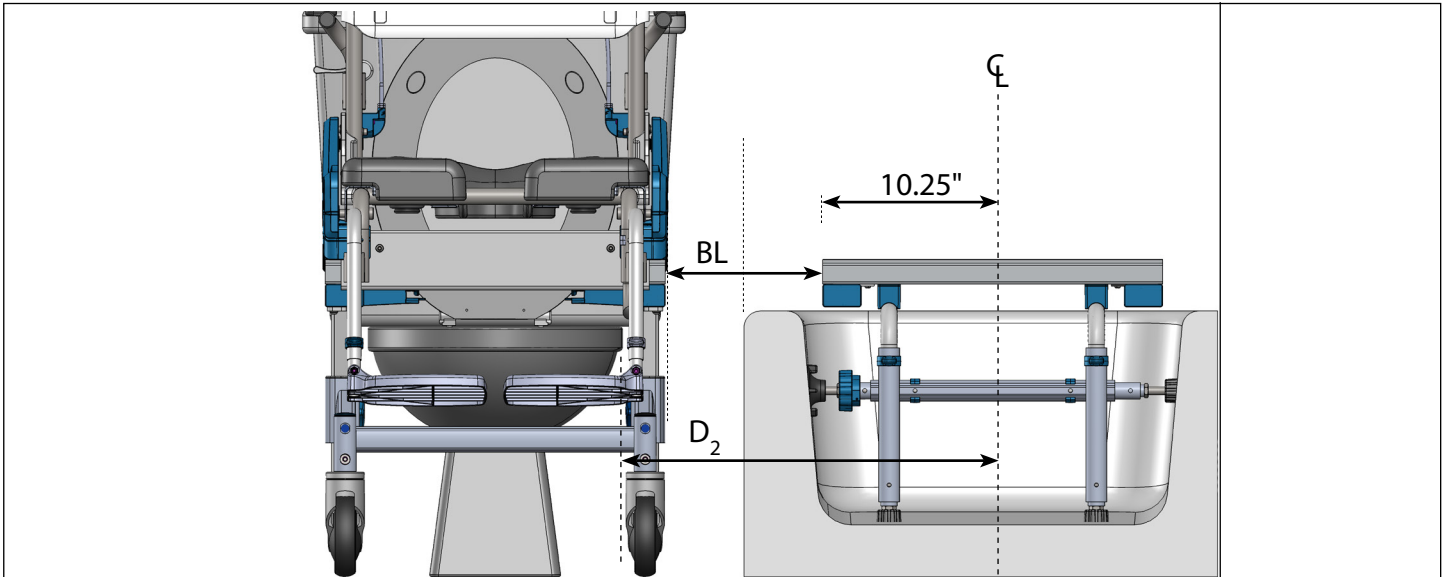
Select: TBL07 Bridge length – 7" or longer

D_1 = Distance between center of tub and outside of tub wall

10.25" = Half the width of the tub base

BL = Bridge Length (round up to the nearest available size [See Sec 2 - previous page])

Bridge Length with toilet interference



Calculated Bridge Length (CBL) – with toilet bowl interference

Minimum CBL = $D_2 - 10.25'' - 3.5''$

Example: If $D_2 = 25''$

$CBL = 25'' - 10.25'' - 3.5''$

$CBL = 11.25''$

Select: TBL11 Bridge length – 11.5''

BL = Bridge Length (round up to the nearest available size) [See Sec 2 - previous page]

D_2 = Distance between center of tub and near side of toilet bowl

4. Trakz Back Support Options

The standard Trakz back support includes 18"W molded, vinyl upholstery, wrap-around and removable padded arm supports.

TFB1820	Fixed Back with molded vinyl upholstery – 18"W x 20"H	Standard
TFBU1820	Fixed Back with Tension-Adjustable Upholstery – 18"W x 20"H	\$190
TFBSB1820	Fixed Back with Symphony Back – 18"W x 20"H	\$305

5. Arm Supports – Wrap-around, swing-away, removable

TZASWL	Arm Supports (pr) Wraparound – Long	Standard
TZASWS	Arm Supports (pr) Wraparound – Short	N/C

Arm Support Pads

TZARMLL	Molded pad long 13" – Left (fits TZASWL)	Standard
TZARMLR	Molded pad long 13" – Right (fits TZASWL)	Standard
TZARMSL	Molded pad short ¹ 10" – Left (fits TZASWS)	N/C
TZARMSR	Molded pad short ¹ 10" – Right (fits TZASWS)	N/C
TZTAPLL	Tubular pad long 13" – Left (in lieu of molded pads, fits TZASWL)	N/C
TZTAPLR	Tubular pad long 13" – Right (in lieu of molded pads, fits TZASWL)	N/C
TZTAPSL	Tubular pad short 10" – Left (in lieu of molded pads, fits TZASWS)	N/C
TZTAPSR	Tubular pad short 10" – Right (in lieu of molded pads, fits TZASWS)	N/C
TZFAPLL	Molded Flat Armpad Long 14"L x 3.25"W – Left (fits TZASWL)	\$88
TZFAPLR	Molded Flat Armpad Long 14"L x 3.25"W – Right (fits TZASWL)	\$88
TZFAPSL	Molded Flat Armpad Short 10"L x 3"W – Left (fits TARMS)	\$88
TZFAPSR	Molded Flat Armpad Short 10"L x 3"W – Right (fits TARMS)	\$88
TZTRL	Molded Arm Trough 18.5"L x 4.5"W – Left (fits TZASWL)	\$120

TZTRR	Molded Arm Trough 18.5"L x 4.5"W – Right (fits TZASWL)	\$120
TZPAML	Pivoting Arm Mount ² – Left (for TZFAPLL / TZTRL)	\$180
TZPAMR	Pivoting Arm Mount ² – Right (for TZFAPLR / TZTRR)	\$180
TZAPSB18	Anterior Posture Support Bar (for ZARML only)	\$235

¹ Not compatible with TZFAP / TZTR / TZPAM

² Recommended when Lateral Thoracic Supports (TLTL/S) and Molded Arm Troughs (TZTR) are both ordered

6. Foot / Leg Supports and Accessories

TZFSL	Foot Support – Left 16" – 20.5"	Standard
TZF5R	Foot Support – Right 16" – 20.5"	Standard
TZFET2L	Footrest Extension Tubes ¹ 2" longer – Left (for TZFSL)	\$30
TZFET2R	Footrest Extension Tubes ¹ 2" longer – Right (for TZF5R)	\$30
TZMF58L	MFX8 Foot Support – Left 8" – 12"	\$55
TZMF58R	MFX8 Foot Support – Right 8" – 12"	\$55
TZMF512L	MFX12 Foot Supports – Left 12" – 16.5"	\$55
TZMF512R	MFX12 Foot Supports – Right 12" – 16.5"	\$55
TZADML	Adj Angle/Depth Molded Footplates ² – Left (for TZFSL / TZMF512L)	\$105
TZADMR	Adj Angle/Depth Molded Footplates ² – Right (for TZF5R / TZMF512R)	\$105
TZFET2AL	Footrest Extension Tubes 2" longer – Left (for TZADML)	\$30
TZFET2AR	Footrest Extension Tubes 2" longer – Right (for TZADMR)	\$30
TZELRL	Elevating Leg Support – Left (includes TZADML)	\$530
TZELRR	Elevating Leg Support – Right (includes TZADMR)	\$530
TZRLSL	Universal Residual Limb Support – Left	\$210
TZRLSR	Universal Residual Limb Support – Right	\$210
TZCS18	Calf Strap, Snap-On – Bodypoint Aeromesh	\$145
TZCSIC18	Calf Strap, Snap-On – Infection Control	\$155
TZHS1820	H-Strap – hook and loop attachment	\$98
TZ AHL	Adjustable Heel Loops (pr)	\$67
TZNC	Neoprene Cover for Standard Footplate (pr)	\$98
TZNCA	Neoprene Cover for Angle/Depth Adjustable Footplates (pr)	\$98

¹ Not compatible with TZMF58

² Not compatible with TZMF58 / TZVS

7. Positioning Pads

Head Supports		
THSP1	Head Support Pad for T388 – Small (10" x 4")	Standard
THSP2	Head Support Pad for T388 – Large (12" x 6")	\$50
THSA1	Head Support Assembly for T188 – with Small Pad (10" x 4")	\$515
THSA2	Head Support Assembly for T188 – with Large Pad (12" x 6")	\$570

Lateral Thoracic Supports – Pads on Lateral Thoracic Supports can be adjusted medially up to 3" per side. For up to 4.5" medial offset, select ZLAEP extension plate.

TZLT5WA1L	Lateral Thoracic Support for Wraparound Arm w/ Small Pad – Left	\$355
TZLT5WA1R	Lateral Thoracic Support for Wraparound Arm w/ Small Pad – Right	\$355
TZLT5WA2L	Lateral Thoracic Support for Wraparound Arm w/ Large Pad – Left	\$355
TZLT5WA2R	Lateral Thoracic Support for Wraparound Arm w/ Large Pad – Right	\$355

Extension Plates for Lateral Thoracic Supports**These plates allow for an additional 1.5" medially and can be used with Lateral Thoracic Supports**

TZLAEPL	Lateral Extension Plate – Left	\$26
TZLAEPR	Lateral Extension Plate – Right	\$26

8. Pelvic and Chest Belts – A CHEST BELT MUST NEVER BE USED WITHOUT A PELVIC BELT!

Pelvic Belts			Chest Belts		
TZPBM	Pelvic Belt – Medium (2-piece w/ side-release buckle)	\$57	TZCBM	Chest Belt ² – Medium (1-piece w/ hook and loop closure)	\$41
TZPBL	Pelvic Belt – Large (2-piece w/ side-release buckle)	\$52	TZCBL	Chest Belt ² – Large (1-piece w/ hook and loop closure)	\$52
TZPBICM	Infection Control Pelvic Belt ¹ – Medium (2-piece w/ side-release buckle)	\$102	TZCBICM	Infection Control Chest Belt ^{1,2} – Medium (1-piece w/ side-release buckle)	\$83
TZPBICL	Infection Control Pelvic Belt ¹ – Large (2-piece w/ side-release buckle)	\$102	TZCBICL	Infection Control Chest Belt ^{1,2} – Large (1-piece w/ side-release buckle)	\$93
TZPBBPM	Pelvic Belt – Bodypoint Aeromesh – Med	\$275	TZCBBPM	Chest Belt – Bodypoint Aeromesh – Med	\$285
TZPBBPL	Pelvic Belt – Bodypoint Aeromesh – Large	\$275	TZCBBPL	Chest Belt – Bodypoint Aeromesh – Large	\$285

¹ Non-absorbent belts – recommended for infection-control environments² Optional tension – Adjustable Upholstery includes loops to retain a chest belt (ZCBM / ZCBL). When the chair is supplied with a Symphony Back, Chest Belt loops are provided.**9. Other**

TZIHW	Whizard – winged urine deflector – Has patented lateral wings that are positioned under the medial aspect of the thighs to keep the Whizard in place.	\$72
TZSS	SplaShield – Molded urine deflector (must be held in place during use)	\$160
TZSCSI	Slide-In Splash Curtain – Vinyl curtain, slides into commode pan brackets	\$320

10. Credits and Omissions

TZ905	Omit Commode Pan and Mounting Brackets	–\$20	TZ911	Omit Molded Head Support Pad (T388 only)	–\$20
TZ907	Omit Foot Supports – if no other Foot / Leg Support Option is selected	–\$45	T912	Omit Complete Head Support Assembly (T388 only)	–\$50

Some assembly of Raz products is required.**11. Notes:**

Specifications**Trakz-AP
Attendant Propel****Trakz-AT
Attendant Tilt**

Weight Capacity	350lbs	
Overall Width	23"	
– with arm supports		
– without arm supports		
Overall Length with standard footrests	35.5"	36"
Tilt Range	N / A	35°
Back Support Height	20"	
Bridge Length	9.5", 12.5", 16.5" + custom lengths	
Underside of Bridge to Top of Seat	6.25"	8.5"
Underside of Bridge to Floor		
– high base configuration	15" – 19" in 1" (2.54cm) increments	
– low base configuration	10" – 14" in 1" (2.54cm) increments	
Seat Width	18"	
Seat Depth	17" (43cm)	
Clearance Height Under Seat		
– high base configuration	16.25" – 20.25" in 1" increments*	
– low base configuration	11.25" – 15".25 in 1" increments*	
* without brackets +0.75"		
Arm Support Height Above Seat	10"	
Seat-to-Floor Height		
– high base configuration	22" – 25" in 1" increments	24.5" – 27.5" in 1" increments
– low base configuration	17" – 21" in 1" increments	19.5" – 23.5" in 1" increments
Product Weight	77.5 lbs	95 lbs
Frame Materials		
– mobile base frame	Aluminum	
– tub base frame	Aluminum	
– bridge	Aluminum	
– back frame and footrests	Stainless Steel	
– hardware	Stainless Steel	

Client Information

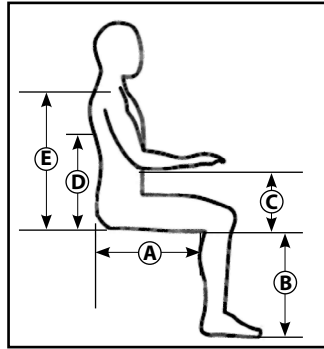


Image 1

Height:
Weight:

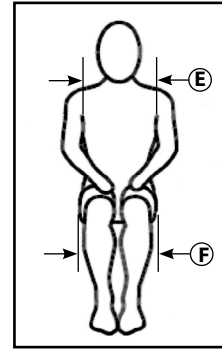
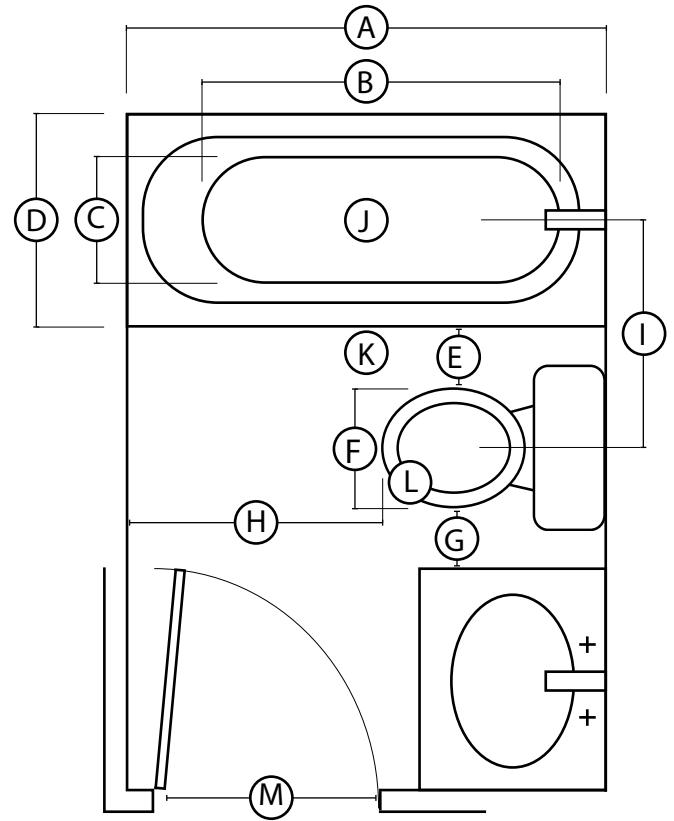
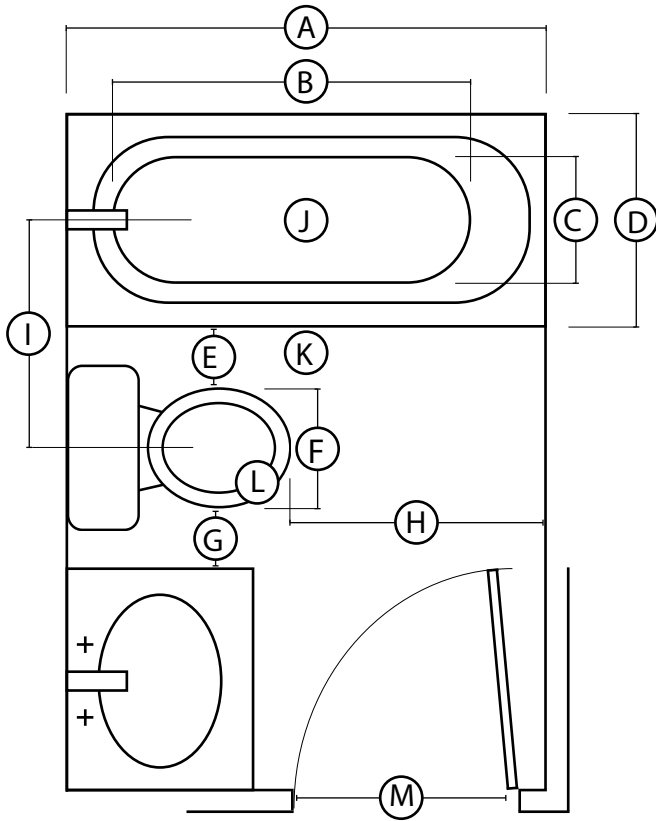


Image 2

Left	Right	Image 1	Image 2
		A Buttock / Thigh depth	E Chest width
		B Lower leg length	F Hip width
		C Seat to elbow	
		D Seat to Inferior Scapula	

Common Bathroom Layouts

Fixtures on common wall

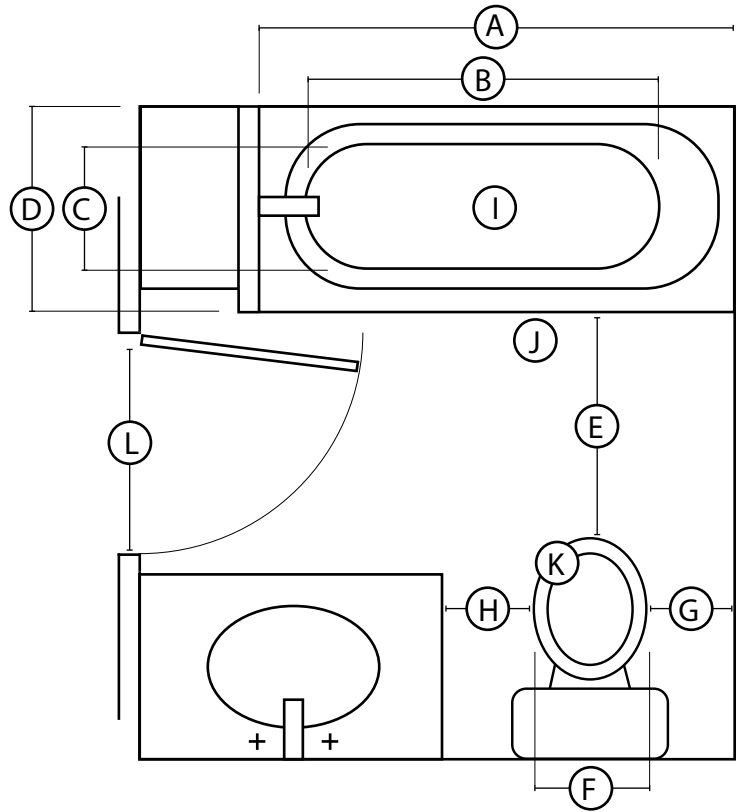
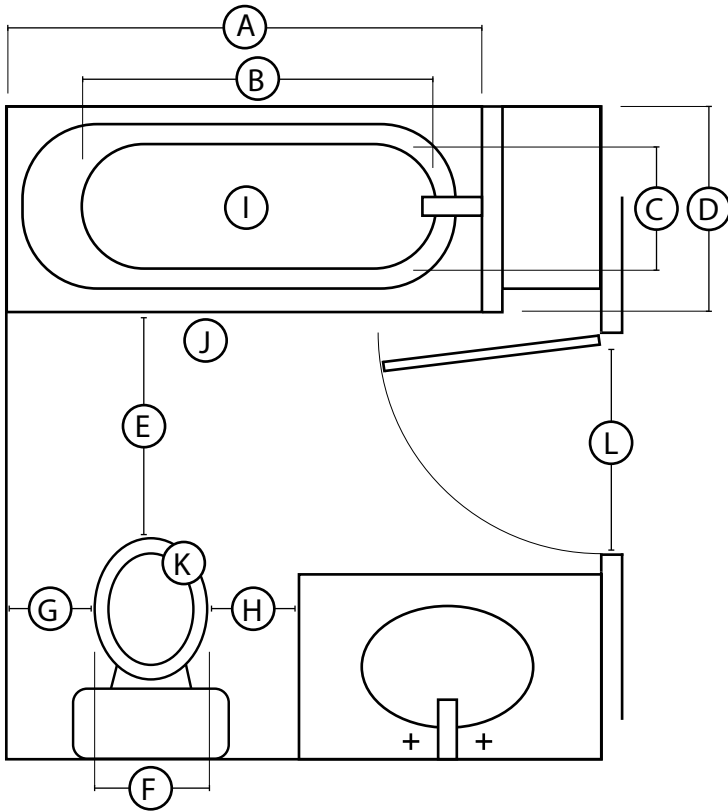


A	Overall length of bathtub	"
B	Length of bathtub floor	"
C	Width of bathtub floor	"
D	Overall width of bathtub	"
E	Distance between bathtub and toilet bowl edge	"
F	Widest part of toilet bowl	"
G	Distance between edge of toilet and closest wall	"
H	Distance between edge of toilet and opposite wall	"
I	Distance from center of toilet bowl and center of bathtub	"
J	Distance from top edge of bathtub to bathtub floor	"
K	Distance from top edge of bathtub to bathroom floor	"
L	Distance from top of toilet bowl to bathroom floor (with seat and lid in raised position)	"
M	Width of door opening	"

A	Overall length of bathtub	"
B	Length of bathtub floor	"
C	Width of bathtub floor	"
D	Overall width of bathtub	"
E	Distance between bathtub and toilet bowl edge	"
F	Widest part of toilet bowl	"
G	Distance between edge of toilet and closest wall	"
H	Distance between edge of toilet and opposite wall	"
I	Distance from center of toilet bowl and center of bathtub	"
J	Distance from top edge of bathtub to bathtub floor	"
K	Distance from top edge of bathtub to bathroom floor	"
L	Distance from top of toilet bowl to bathroom floor (with seat and lid in raised position)	"
M	Width of door opening	"

Common Bathroom Layouts

Fixtures on two walls



A	Overall length of bathtub	"
B	Length of bathtub floor	"
C	Width of bathtub floor	"
D	Overall width of bathtub	"
E	Distance between bathtub and toilet bowl edge	"
F	Widest part of toilet bowl	"
G	Distance between edge of toilet and closest wall	"
H	Distance between edge of toilet and vanity	"
I	Distance from top edge of bathtub to bathtub floor	"
J	Distance from top edge of bathtub to bathroom floor	"
K	Distance from top of toilet bowl to bathroom floor (with seat and lid in raised position)	"
L	Width of door opening	"

A	Overall length of bathtub	"
B	Length of bathtub floor	"
C	Width of bathtub floor	"
D	Overall width of bathtub	"
E	Distance between bathtub and toilet bowl edge	"
F	Widest part of toilet bowl	"
G	Distance between edge of toilet and closest wall	"
H	Distance between edge of toilet and vanity	"
I	Distance from top edge of bathtub to bathtub floor	"
J	Distance from top edge of bathtub to bathroom floor	"
K	Distance from top of toilet bowl to bathroom floor (with seat and lid in raised position)	"
L	Width of door opening	"

Bathroom Sketch

Overall length of bathtub	"	Widest part of toilet bowl	"	Distance from top edge of bathtub to bathtub floor	"
Length of bathtub floor	"	Distance between edge of toilet and closest wall	"	Distance from top edge of bathtub to bathroom floor	"
Width of bathtub floor	"	Distance between edge of toilet and opposite wall	"	Distance from top of toilet bowl to bathroom floor (with seat and lid in raised position)	"
Overall width of bathtub	"	Distance from center of toilet bowl and center of bathtub	"	Width of door opening	"
Distance between bathtub and toilet bowl edge	"				